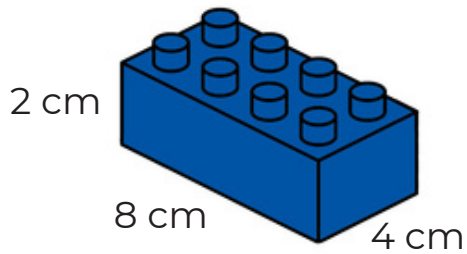


Space

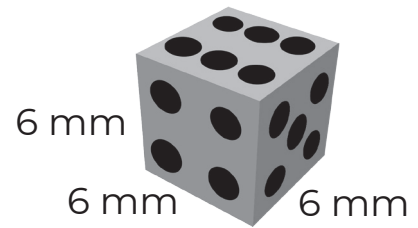
Name: _____

Find out how much you can fit in each space.

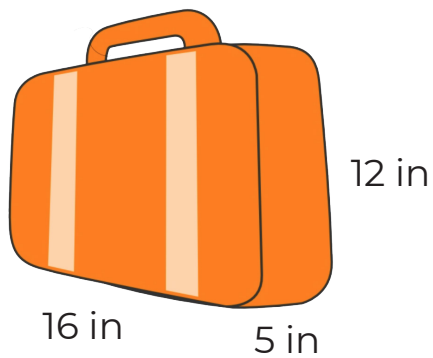
1)



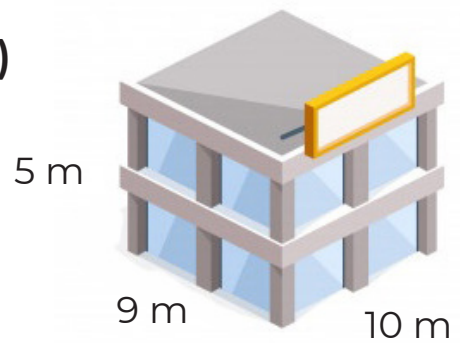
2)



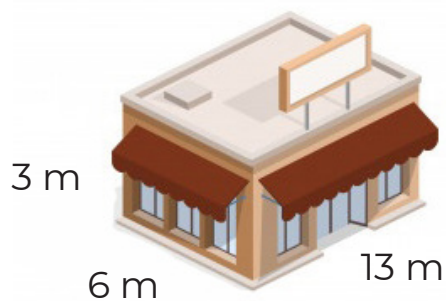
3)



4)



5)



6)

